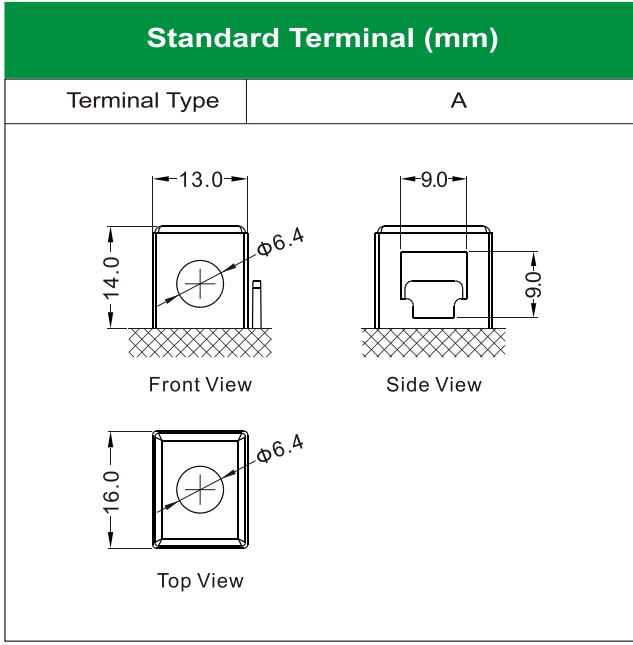
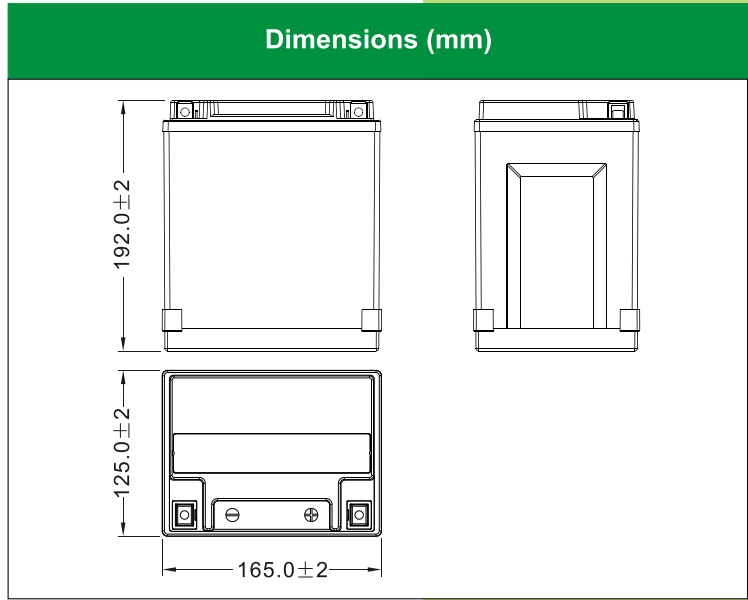
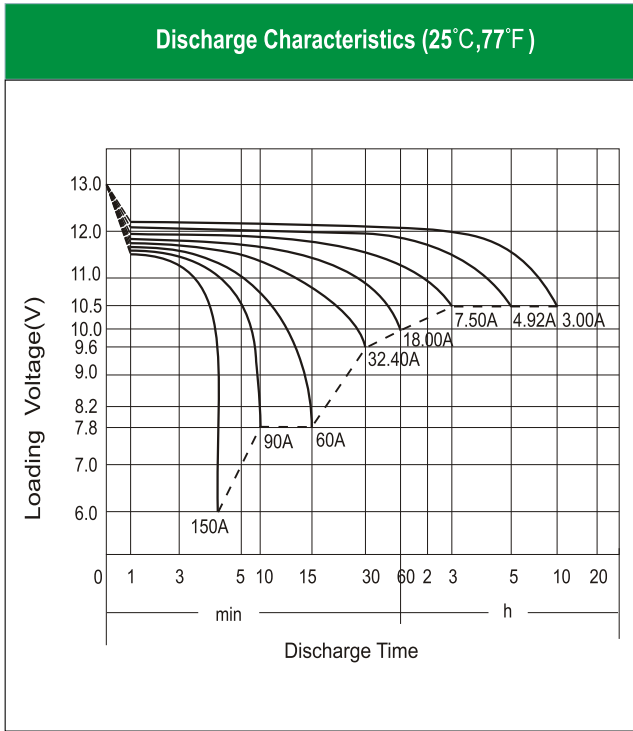


LT30-3-PW (12V30Ah)



Physical Specification

Nominal Voltage	12V	
Nominal Capacity (10HR)	30AH	
Dimension	Length	165 ± 2mm (6.50 inches)
	Width	125 ± 2mm (4.92 inches)
	Container Height	192 ± 2mm (7.56 inches)
	Total Height (with Terminal)	192 ± 2mm (7.56 inches)
Weight	Battery(with acid): Approx 9.61kg (21.17lbs) Electrolyte: Approx 1.82kg (4.01bs)	
<ul style="list-style-type: none"> * Sealed and non-spillable AGM battery * Maintenance-free * Powerful 385 cold cranking amps * Shipped pre-charged and ready to install * Replaces EBX30L-BS battery 		



Electrical Specification

Rated Capacity	10 hour rate (3.00 A)	30.00AH
	5 hour rate (4.92 A)	24.60AH
	2 hour rate (10.5 A)	21.00AH
	1 hour rate (18.0 A)	18.00AH
	0.5 hour rate (32.4 A)	16.20AH
Capacity affected by Temperature	40 °C (104 °F)	106%
	25 °C (77 °F)	100%
	0 °C (32 °F)	86%
	-15 °C (5 °F)	65%
Self Discharge	Approximately 3% per month (25°C (77°F))	
Charging Methods	Full Charge	Constant-Voltage Charge: Initial charging current: less than 9.0A Voltage: 14.40 V ~ 15.00 V at 25 °C (77 °F) Charging time: 15 ~18h Constant-Current Charge: Charging current: 0.1C ₁₀ =3.00A, when charging voltage up to 14.40V, continue to charge 4h
	Floating Charge	No limit on Initial charging current Voltage: 13.50 V ~ 13.80 V at 25 °C (77 °F)