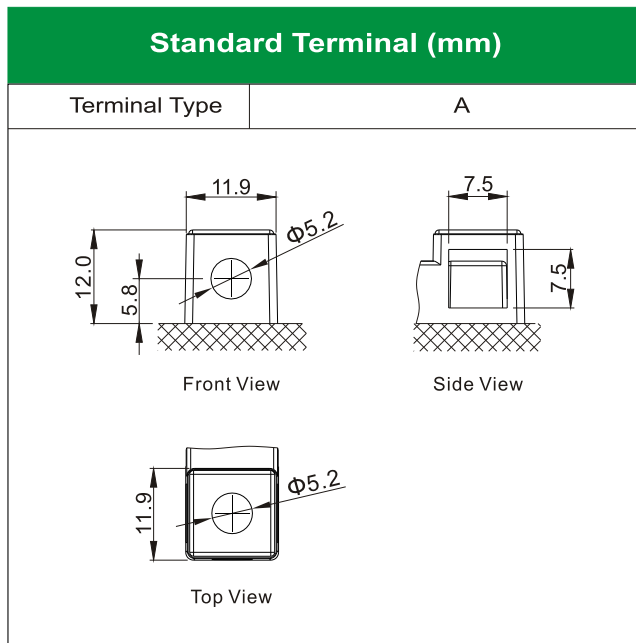
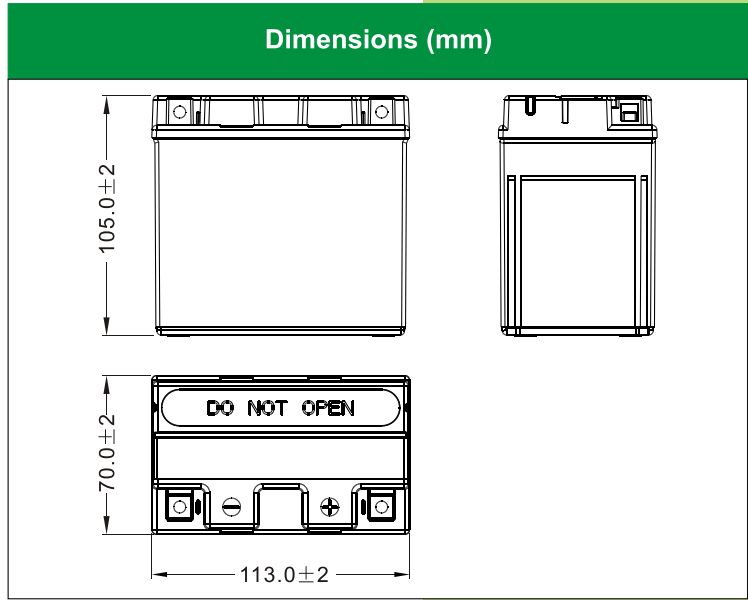


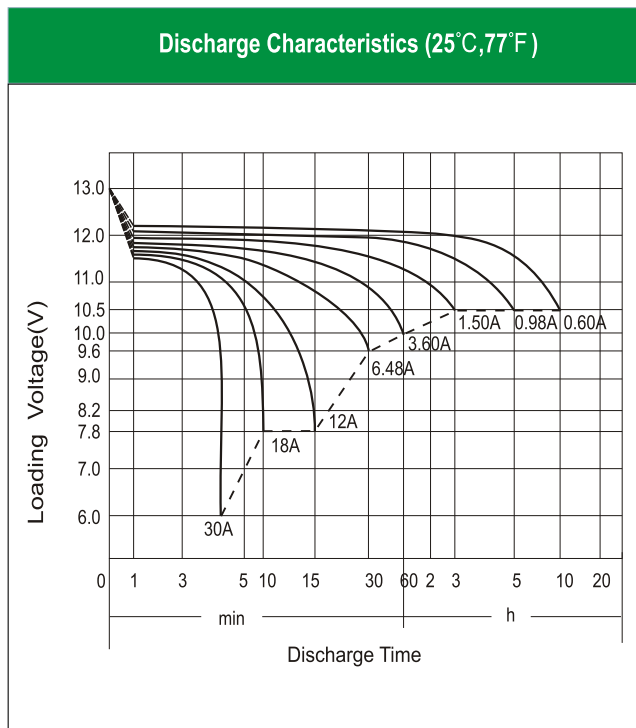
# EBZ7L-BS (12V6Ah)



### Physical Specification

Nominal Voltage	12V	
Nominal Capacity (10HR)	6AH	
Dimension	Length	113 ± 2mm (4.45 inches)
	Width	70 ± 2mm (2.76 inches)
	Container Height	105 ± 2mm (4.13 inches)
	Total Height (with Terminal)	105 ± 2mm (4.13 inches)
Weight	Battery(with acid): Approx 2.17kg (4.78lbs)	
	Electrolyte: Approx 0.35kg (0.77lbs)	

- \* Sealed and non-spillable AGM battery
- \* Maintenance-free
- \* Powerful 130 cold cranking amps
- \* Shipped pre-charged and ready to install
- \* Replaces / upgrade for EBZ7-3



### Electrical Specification

Rated Capacity	10 hour rate (0.60 A)	6.00AH
	5 hour rate (0.98 A)	4.92AH
	2 hour rate (2.10 A)	4.20AH
	1 hour rate (3.60 A)	3.60AH
	0.5 hour rate (6.48 A)	3.24AH
Capacity affected by Temperature	40 °C (104 °F)	106%
	25 °C (77 °F)	100%
	0 °C (32 °F)	86%
	-15 °C (5 °F)	65%
Self Discharge	Approximately 3% per month (25°C (77°F))	
Charging Methods	Full Charge	Constant-Voltage Charge: Initial charging current: less than 1.8A Voltage: 14.40 V ~ 15.00 V at 25 °C (77 °F) Charging time: 15 ~18h Constant-Current Charge: Charging current: 0.1C <sub>10</sub> =0.60A, when charging voltage up to 14.40V, continue to charge 4h
	Floating Charge	No limit on Initial charging current Voltage: 13.50 V ~ 13.80 V at 25 °C (77 °F)