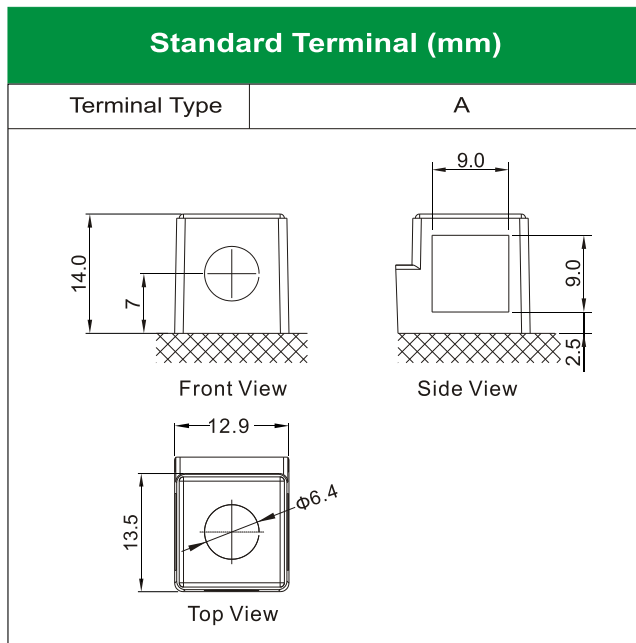
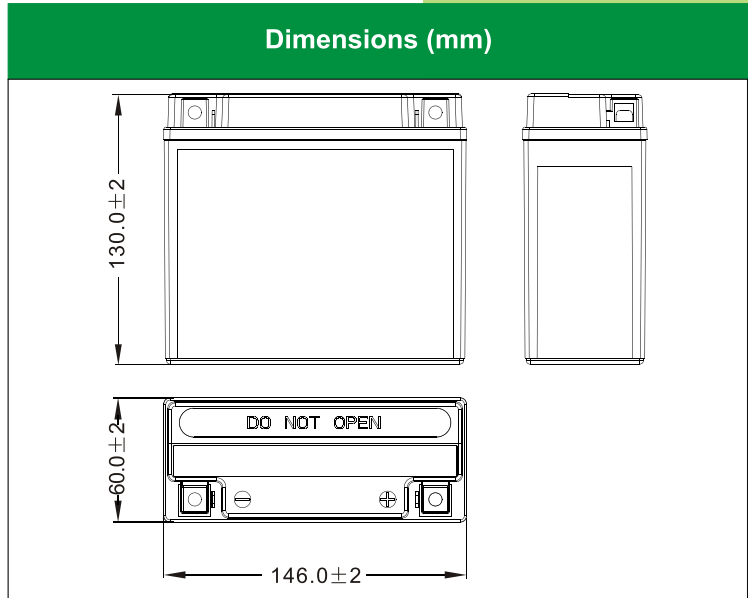


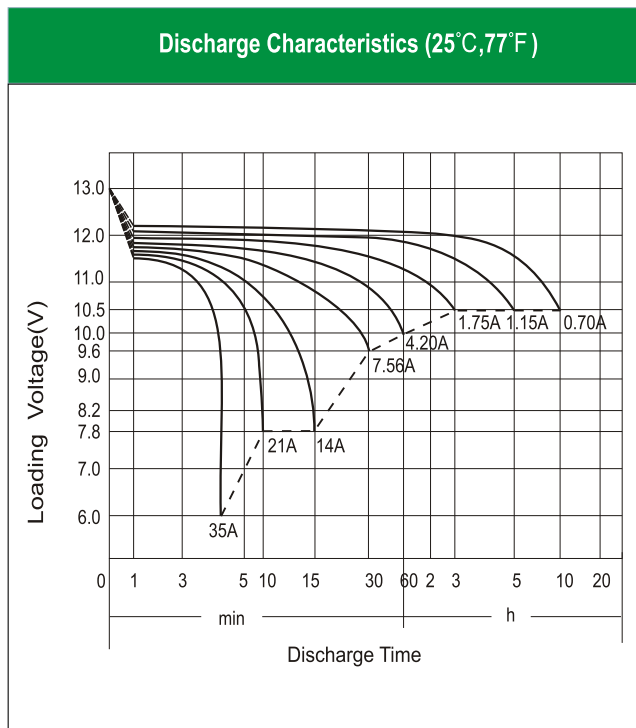
EB7DL-BS [12V7Ah]



Physical Specification

Nominal Voltage	12V	
Nominal Capacity (10HR)	7AH	
Dimension	Length	146 ± 2mm (5.75 inches)
	Width	60 ± 2mm (2.36 inches)
	Container Height	130 ± 2mm (5.12 inches)
	Total Height (with Terminal)	130 ± 2mm (5.12 inches)
Weight	Battery(with acid): Approx 2.51kg (5.53lbs)	
	Electrolyte: Approx 0.47kg (1.04lbs)	

- * Sealed and non-spillable AGM battery
- * Maintenance-free
- * Powerful 115 cold cranking amps
- * Shipped pre-charged and ready to install
- * Replaces EB7D-4 battery



Electrical Specification

Rated Capacity	10 hour rate (0.70 A)	7.0AH
	5 hour rate (1.15 A)	5.74AH
	2 hour rate (2.45 A)	4.90AH
	1 hour rate (4.20 A)	4.20AH
	0.5 hour rate (7.56 A)	3.78AH
Capacity affected by Temperature	40 °C (104 °F)	106%
	25 °C (77 °F)	100%
	0 °C (32 °F)	86%
	-15 °C (5 °F)	65%
Self Discharge	Approximately 3% per month (25°C (77°F))	
Charging Methods	Full Charge	Constant-Voltage Charge: Initial charging current: less than 2.1A Voltage: 14.40 V ~ 15.00 V at 25 °C (77 °F) Charging time: 15 ~18h Constant-Current Charge: Charging current: 0.1C ₁₀ =0.70A, when charging voltage up to 14.40V, continue to charge 4h
	Floating Charge	No limit on Initial charging current Voltage: 13.50 V ~ 13.80 V at 25 °C (77 °F)