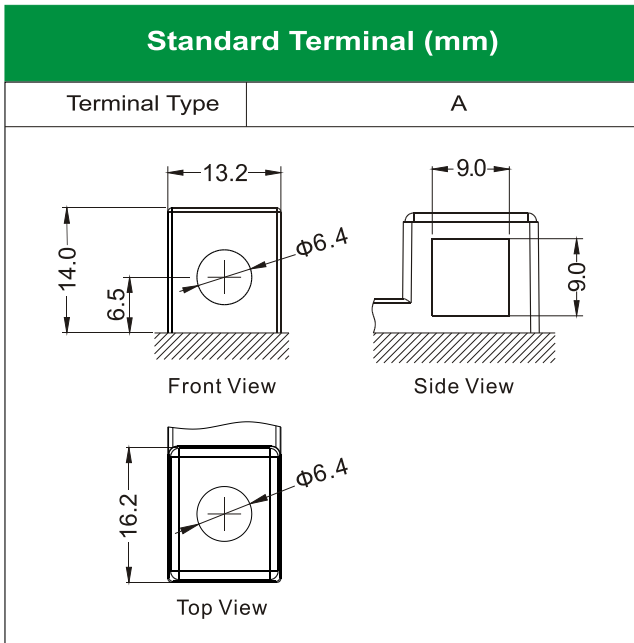
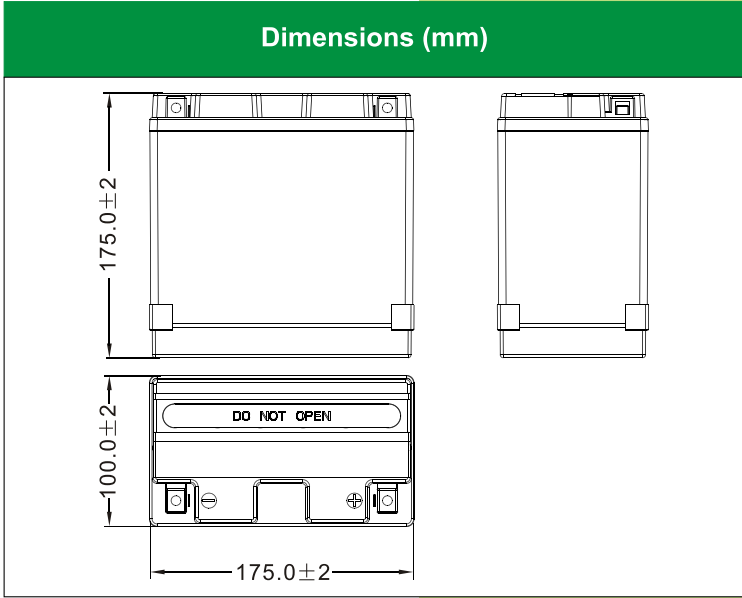


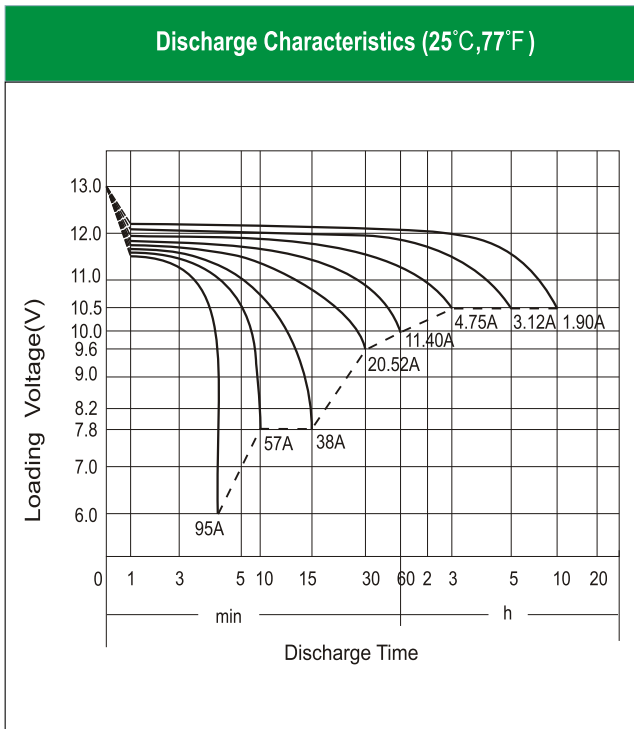
# EB16BL-BS-PW (12V19Ah)



### Physical Specification

|                         |  |                         |
|-------------------------|--|-------------------------|
| Nominal Voltage         | 12V  |                         |
| Nominal Capacity (10HR) | 19AH   |                         |
| Dimension               | Length                                       | 175 ± 2mm (6.89 inches) |
|                         | Width  | 100 ± 2mm (3.94 inches) |
|                         | Container Height                             | 175 ± 2mm (6.89 inches) |
|                         | Total Height (with Terminal)                 | 175 ± 2mm (6.89 inches) |
| Weight                  | Battery(with acid): Approx 6.42kg (14.15lbs) |                         |
|                         | Electrolyte: Approx 1.27kg (2.80lbs)         |                         |

- \* Sealed and non-spillable AGM battery
- \* Maintenance-free
- \* Powerful 260 cold cranking amps
- \* Shipped pre-charged and ready to install
- \* Replaces / upgrade for EB16B-3



### Electrical Specification

|                                  |  |   |
|----------------------------------|--|---|
| Rated Capacity                   | 10 hour rate (1.90 A)                    | 19.00AH   |
|                                  | 5 hour rate (3.12 A)                     | 15.58AH   |
|                                  | 2 hour rate (6.65 A)                     | 13.30AH   |
|                                  | 1 hour rate (11.40 A)                    | 11.40AH   |
|                                  | 0.5 hour rate (20.52 A)                  | 10.26AH   |
| Capacity affected by Temperature | 40 °C (104 °F)                           | 106%  |
|                                  | 25 °C (77 °F)                            | 100%  |
|                                  | 0 °C (32 °F)                             | 86%   |
|                                  | -15 °C (5 °F)                            | 65%   |
| Self Discharge                   | Approximately 3% per month (25°C (77°F)) |   |
| Charging Methods                 | Full Charge                              | Constant-Voltage Charge:<br>Initial charging current: less than 5.7A<br>Voltage: 14.40 V ~ 15.00 V at 25 °C (77 °F)<br>Charging time: 15 ~18h<br>Constant-Current Charge:<br>Charging current: 0.1C <sub>10</sub> =1.90A, when charging voltage up to 14.40V, continue to charge 4h |
|                                  | Floating Charge                          | No limit on Initial charging current<br>Voltage: 13.50 V ~ 13.80 V at 25 °C (77 °F)   |