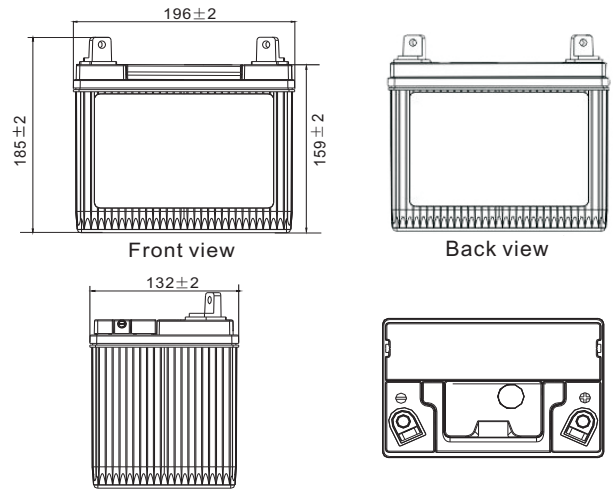


Physical Specification (mm)

| | | |
|------------------------|-----------------------------|-------------------------------------|
| Nominal Voltage | | 12V |
| Nominal Capacity(20HR) | | 15Ah |
| Dimension | Length | 196±2mm(7.72inches) |
| | Width | 132±2mm(5.20inches) |
| | Container Height | 159±2mm(6.26inches) |
| | Total Height(with Terminal) | 185±2mm(7.28inches) |
| Weight With Acid | | Approx 6.7Kg(14.74lbs) |
| Acid | | 1.280±0.015g/cm ³ (25°C) |
| Standard Terminal | | 4 |
| Cell layout | | 0 |
| Hold-Down | | B0 |
| Case | | Black-Material (PP) |
| Cover | | Black-Material (PP) |
| Handle | | Black-Material (PP) |



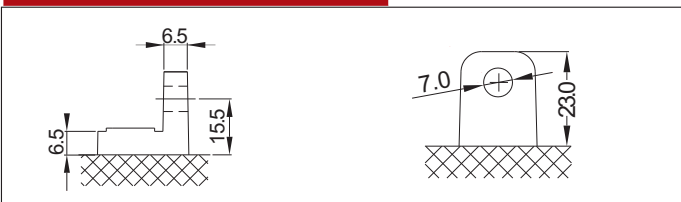
Dimensions (mm)



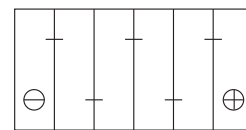
Electrical Specification

| | | |
|---|--------------|-------|
| Rated Capacity | 20 hour rate | 15Ah |
| Reserve Capacity (25A@10.5V) | | 14min |
| Cold Cranking Performance Amps(CCA) @0°F(-18°C) | | 175A |

Terminal

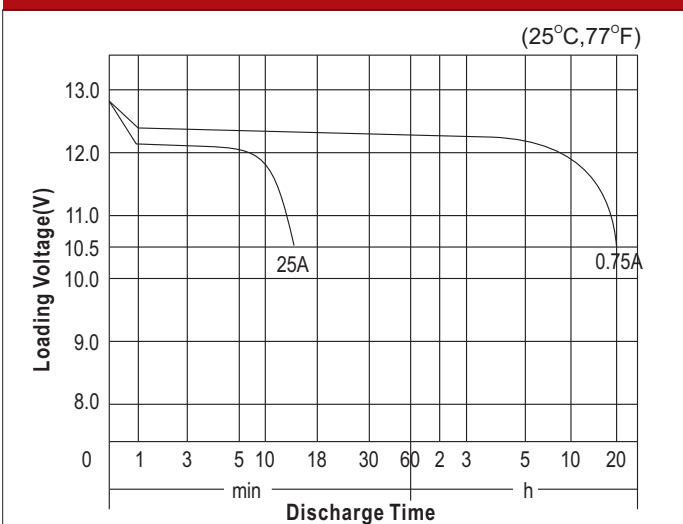


Cell Layout



Figure(0)

Discharge Characteristics



Discharge Characteristics

