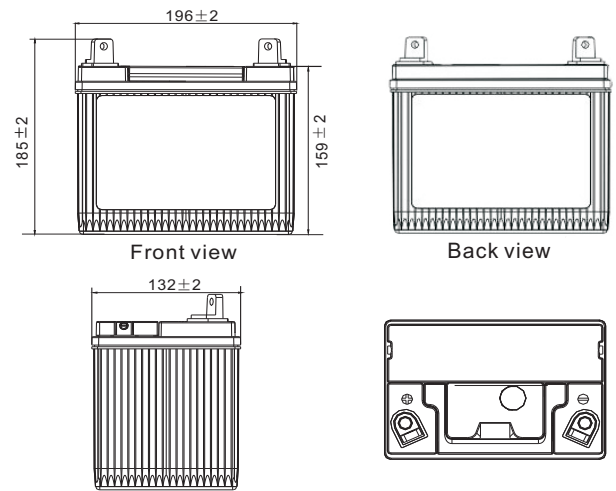


Physical Specification (mm)

Nominal Voltage		12V
Nominal Capacity(20HR)		29Ah
Dimension	Length	196 ± 2mm(7.72inches)
	Width	132 ± 2mm(5.20inches)
	Container Height	159 ± 2mm(6.26inches)
	Total Height(with Terminal)	185 ± 2mm(7.28inches)
Weight With Acid		Approx 8.4Kg(18.48lbs)
Acid		1.280 ± 0.015g/cm ³ (25°C)
Standard Terminal		4
Cell layout		1
Hold-Down		B0
Case		Black-Material (PP)
Cover		Black-Material (PP)
Handle		Black-Material (PP)



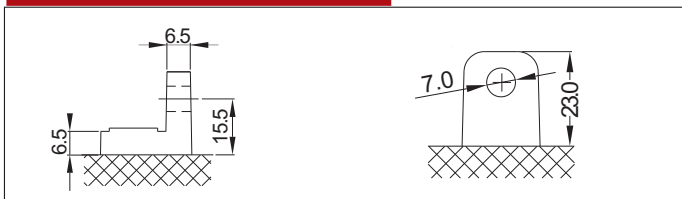
Dimensions (mm)



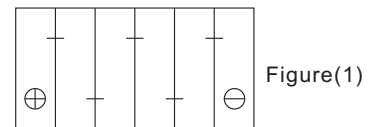
Electrical Specification

Rated Capacity	20 hour rate	29Ah
Reserve Capacity (25A@10.5V)		41min
Cold Cranking Performance Amps(CCA) @0°F(-18°C)		355A

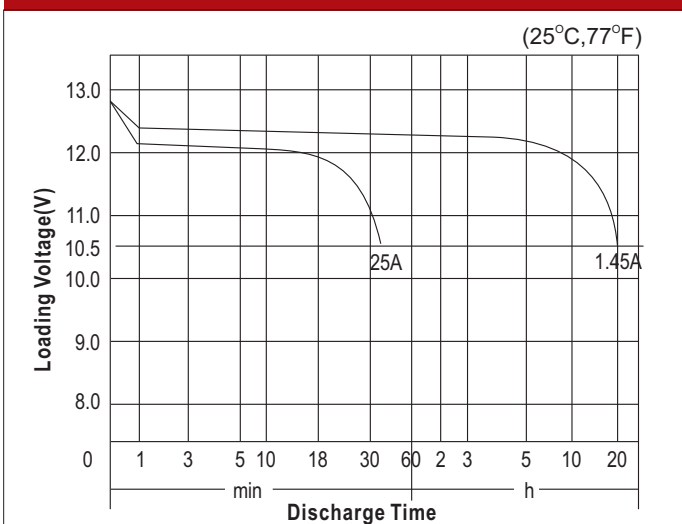
Terminal



Cell Layout



Discharge Characteristics



Discharge Characteristics

